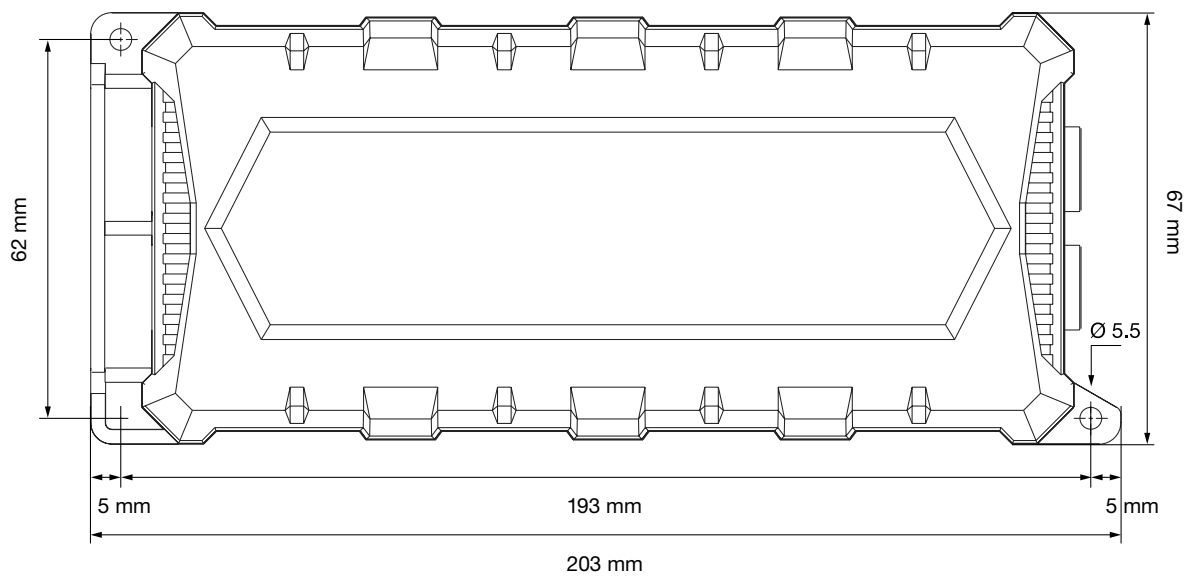
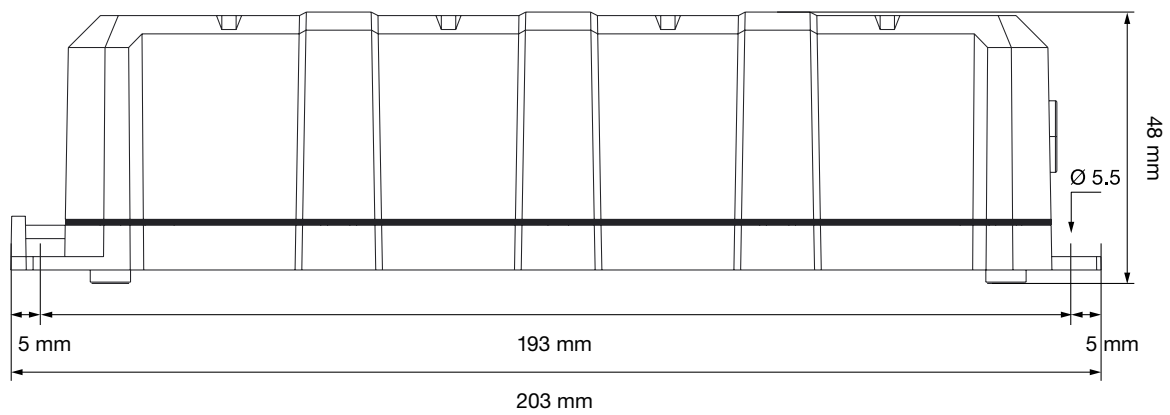


Bemaßungen SH-3.130
Dimensioning SH-3.130



Staudte Hirsch

designed in Germany.
Powered by IVT

© IVT 10/2018